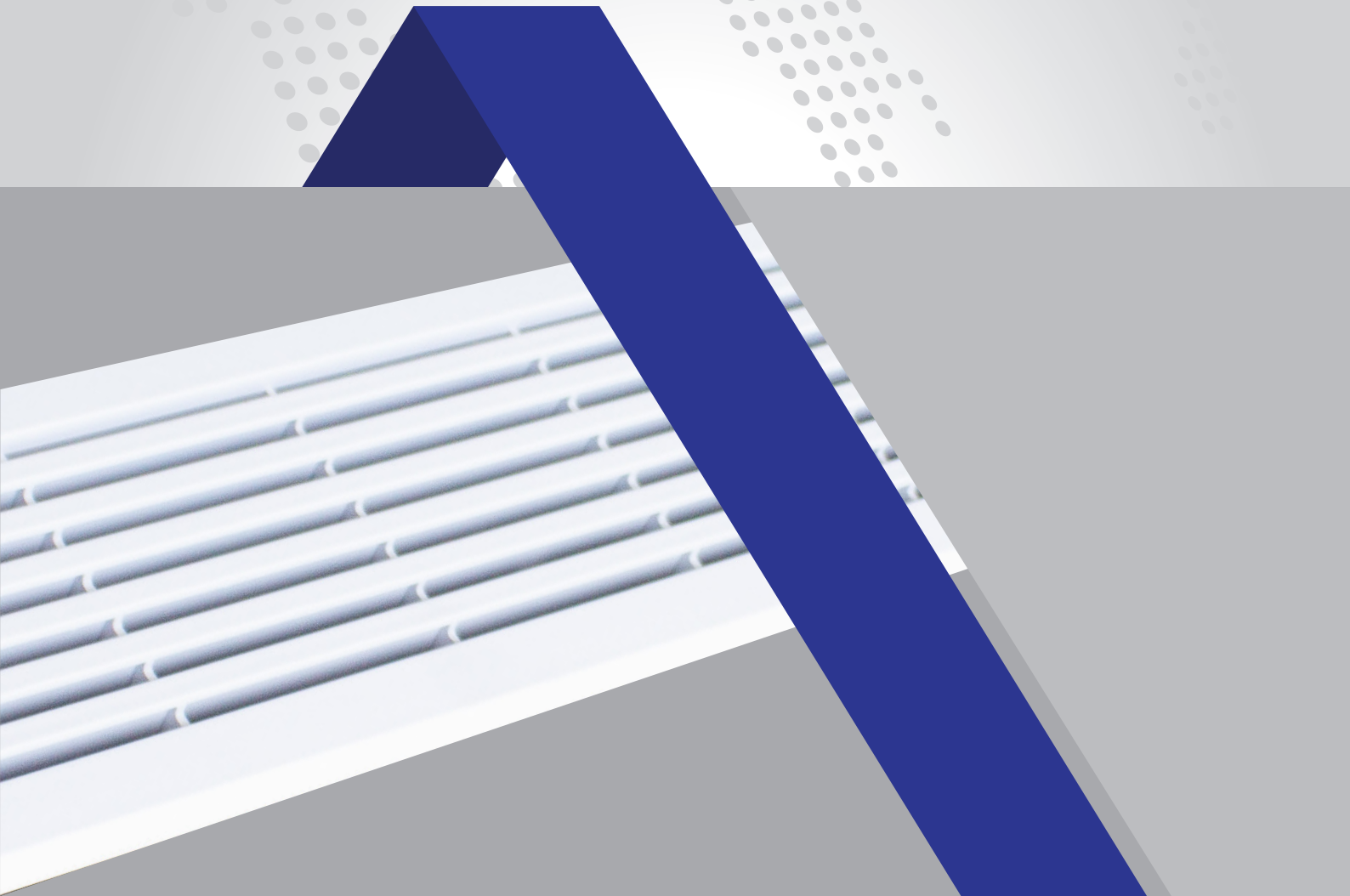


ADVANTAGE AIR®

TECHNICAL CATALOGUE



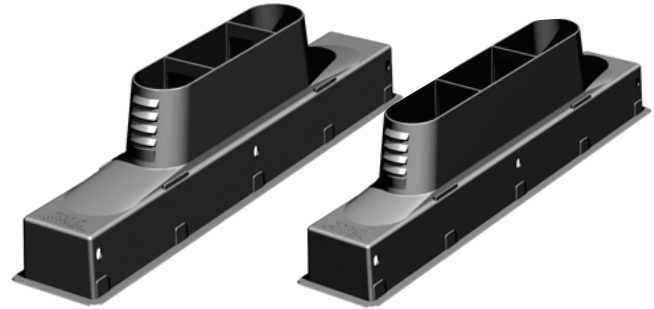
Baby Linear Grille
Plastic

BABY LINEAR GRILLE



FEATURES

- One piece construction of the diffuser eliminates unsightly joins.
- Attractive moulded diffuser is scratch resistant and will not corrode or deteriorate with age.
- Fast, easy installation.
- Significantly lower cost than aluminum diffusers.
- Will fit commercial ceiling grids.
- Easy to clean removable grille frame.
- Light weight ridged construction.
- Standard ceiling white.
- Paintable.
- Boots available in 200 DIA and 250 DIA connections.



200 DIA BOOT

250 DIA BOOT

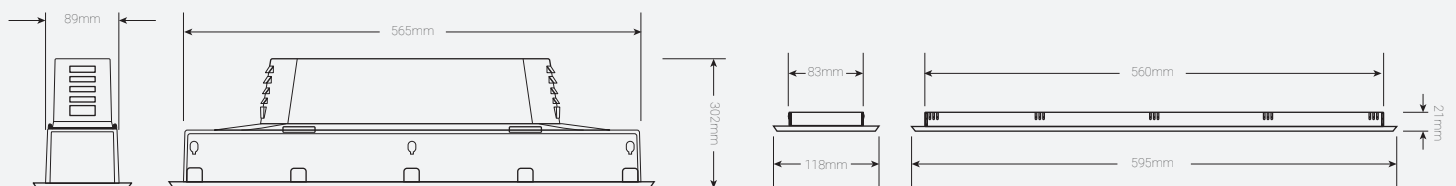
APPLICATIONS

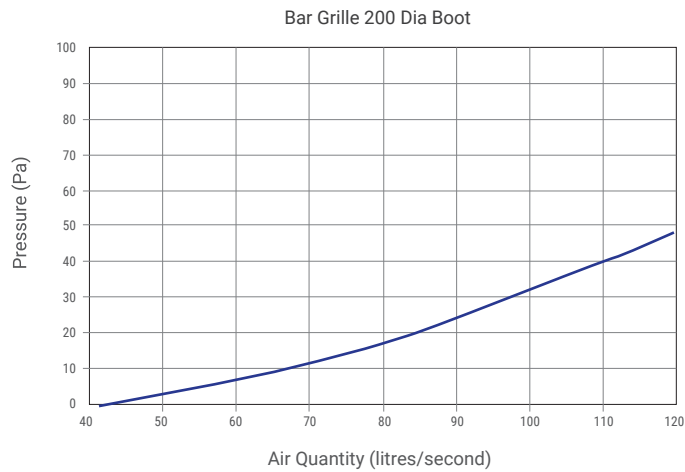
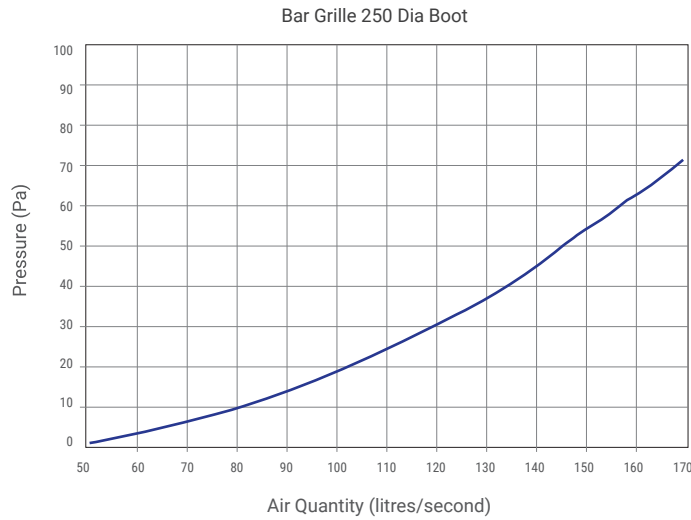
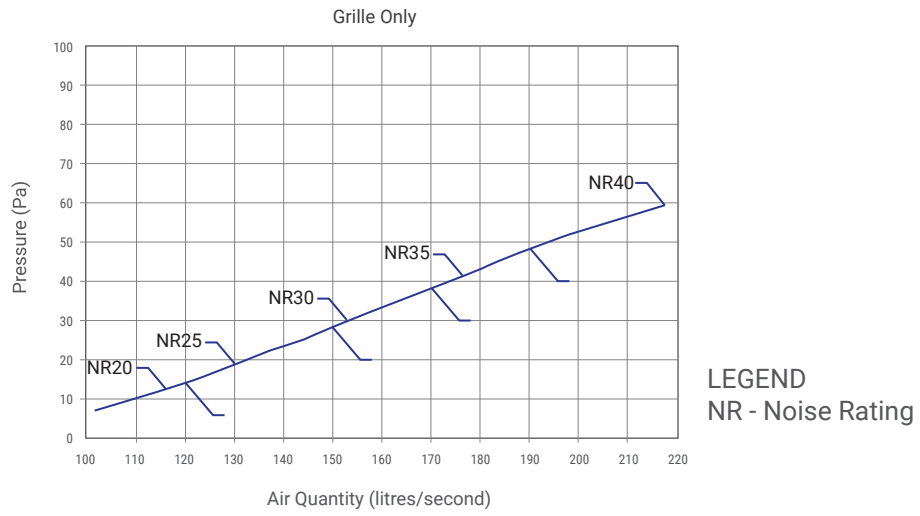
- Ideal for domestic and light commercial reverse cycle airconditioning systems.
- Suitable for ceiling, commercial T-Bar, bulkhead, wall and standard door installations. Not suitable for door thickness less than 32mm.
(Note: For door grille installations the Baby Linear grille DOES NOT provide full privacy).
- Suggested cut out 90mm x 570mm for boots. Grille only installations will require a smaller cut-out hole for grille neck.

CONSTRUCTION

- The diffuser is moulded from white ABS plastic.
- The boot/adaptor black ABS plastic.
- The frame can be supplied separately for bulkhead, wall and door installations.
- The boot clips are constructed from Acetal plastic.

DIMENSIONS

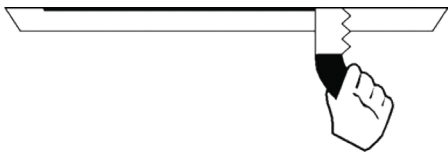




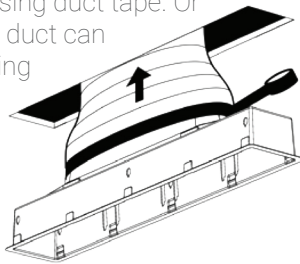
FOR CEILING

1 Check the proposed location for the Baby Linear Grille in the ceiling void. You should ensure the installation of the diffuser does not require the cutting of any structural timbers. If ceiling joists are required to be cut they should be braced with additional supports prior to cutting. You will require a minimum height of 400mm in the ceiling void to facilitate the installation of the boot and duct.

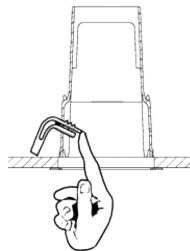
2 Mark out the hole on the ceiling as follows: 90mm wide x 570mm long. It is important to cut out hole in ceiling very accurately.



3 Pull the duct through the opening in the ceiling and attach the boot to the duct using duct tape. Or for accessible ceiling spaces duct can be attached whilst in the ceiling space once the boot is secured in place.

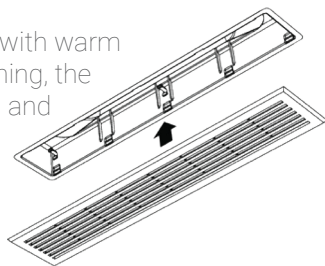


4 Pass the boot up through the hole in the ceiling and insert the plastic clips into the clip holes. Ensure the clips are pushed through as far as possible and that the boot width is not distorted.



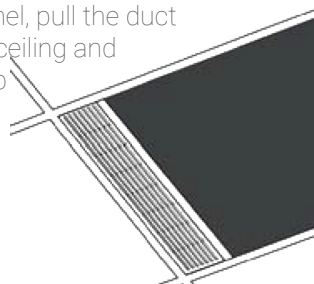
5 Pass the grille/frame up and clip into the boot.

To clean grille, wipe down with warm soapy water. To ease cleaning, the grille core can be removed and washed separately.

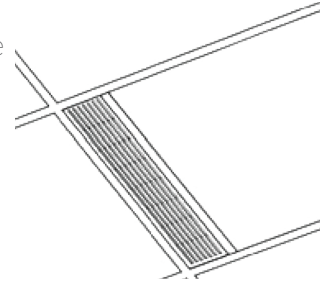


FOR COMMERCIAL T-BAR

1 Remove existing ceiling panel, pull the duct through the opening in the ceiling and attach to the boot. Then clip the frame into the boot and rest/secure onto t-bar frame 3 sides.



2 Introduce new t-bar frame to surround the grille frame and replace ceiling panel.

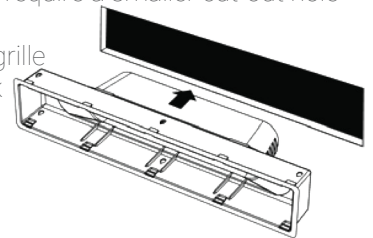


FOR BULKHEADS AND WALL

1 Check the proposed location for the Linear Bar Grille in the bulkhead or wall. Before cutting wall ensure there are no electrical cabling.

2 Suggested cut out 90mm x 570mm for boots. Grille only installations will require a smaller cut-out hole for grille neck.

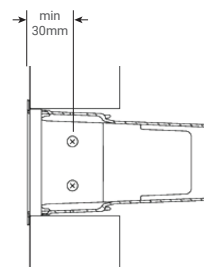
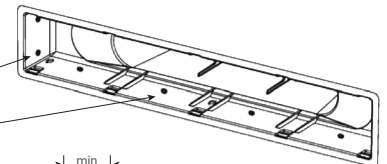
Note: The boot and grille is one standard brick height.



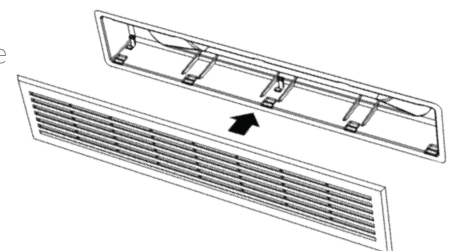
3 Secure the boot using standard ceiling clips as shown in ceiling applications for bulkheads, or screws on the ends/sides for brick wall installations. Ensure screws are a minimum 30mm back from the front flange.

4 Building grade adhesive can be used to secure the grille for wall, door or bulkhead mounted grilles. See alternative door grille installation on page 4 using cable-ties. This can be used in combination with building grade adhesive.

BRICK WALL FIXING SCREWS. Ensure boot width is not distorted.



5 Clip the grille frame into the boot.



6 To clean grille, wipe down with warm soapy water.

7 Please recycle all packaging.

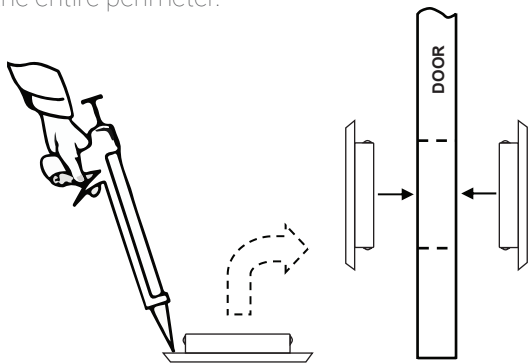
ALTERNATIVE DOOR GRILLE INSTALLATION

1 Please note: For door grille installations the Baby Linear grille DOES NOT provide full privacy.

2 As you are using the grille only, mark out the hole on the door as follows: 83mm wide x 562mm long.

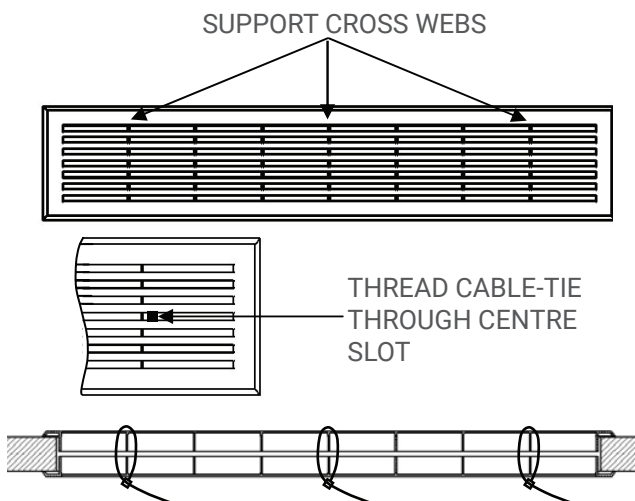


3 Fit the grille on either side of the door. At this point, building grade adhesive can be used on the inside of the flange of both grilles for a more permanent fixing. Apply around the entire perimeter.



4 Use standard WHITE/CLEAR cable ties no shorter than 150mm and no larger than 3.6mm wide. The head of the cable tie should not exceed 5mm in width.

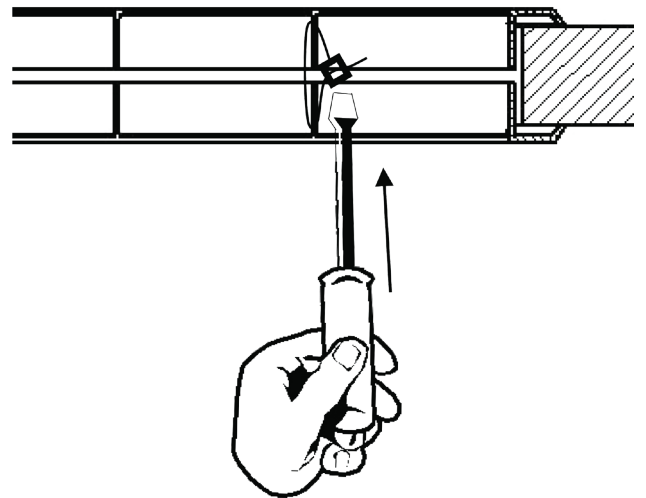
5 Using the support cross webs, at three points on the grille pass the cable tie in through the centre slot in one end and loop around the opposite grille and then pass back to cable-tie the two grilles together. This will require two people. Use a minimum of three cable-ties.



6 With a flat-head screw driver, push the head of the cable-tie through the gap, whilst pulling on the tail end to tighten grilles together, or use long nose pliers to pull and tighten the cable through the centre slot.

7 Trim the excess cable-tie end.

8 Using a flat-head screw driver, push the head of the cable-tie toward the centre of the two grilles to hide.



6 To clean grille, wipe down with warm soapy water.

7 Please recycle all packaging.



SOUTH AFRICA

Johannesburg

Advantage Air Africa Pty Ltd

T: +27 11 201 0600

F: +27 11 450 4317

E: sales@advantageair.co.za

Cape Town

Advantage Air

T: +27 21 551 8411 / 551 8312

F: +27 21 551 8402

E: sales@advantageair.co.za

Durban

Advantage Air

T: +27 31 579 4615

F: +27 31 579 3903

E: sales@advantageair.co.za