



**ADVANTAGE AIR<sup>®</sup>**

TECHNICAL CATALOGUE

Constant Volume Diffuser  
(CVD & CCVD)

Metal

## CVD & CCVD

The ADVANTAGE AIR CVD and CCVD steel constant volume diffusers are available in the extensive range to meet most requirements.

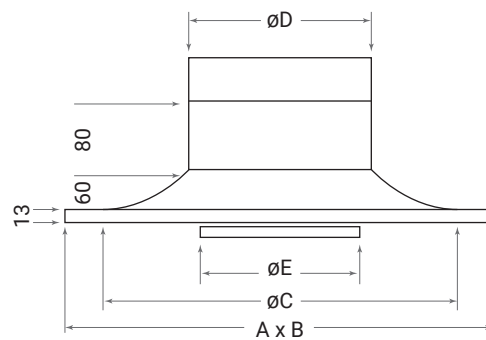
The diffusers are easy to install and with the aesthetically pleasing design and efficient radial air distribution, it is ideal for all environments.

The units are manufactured from steel and powder coated to ensure a finish of the highest quality. The diffusers are available in neck sizes ranging from 150 mm to 350 mm in diameter and are compatible with our ADVANTAGE AIR flexible ducting



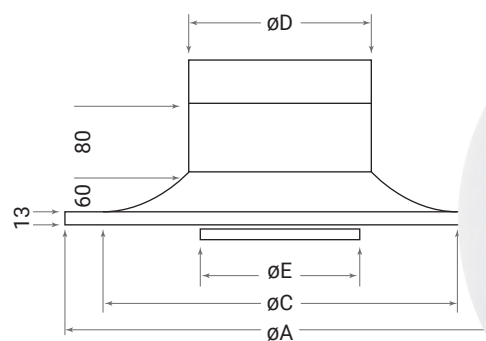
### SPIGOT DIAMETER

|               | 150 mm                        |            | 200 mm                        |            | 250 mm                        |            | 300 mm                        |            | 350 mm                        |            |
|---------------|-------------------------------|------------|-------------------------------|------------|-------------------------------|------------|-------------------------------|------------|-------------------------------|------------|
| Pressure (Pa) | Flow Rate (m <sup>3</sup> /s) | Throw (mm) | Flow Rate (m <sup>3</sup> /s) | Throw (mm) | Flow Rate (m <sup>3</sup> /s) | Throw (mm) | Flow Rate (m <sup>3</sup> /s) | Throw (mm) | Flow Rate (m <sup>3</sup> /s) | Throw (mm) |
| 30            | 0.1136                        | 750        | 0.1792                        | 680        | 0.2134                        | 1100       | 0.2351                        | 1340       | 0.2475                        | 1460       |
| 40            | 0.1326                        | 700        | 0.1822                        | 1080       | 0.2445                        | 1270       | 0.2674                        | 1480       | 0.2851                        | 1760       |
| 50            | 0.1509                        | 760        | 0.2097                        | 1210       | 0.2696                        | 1350       | 0.2940                        | 1530       | 0.3193                        | 1860       |
| 60            | 0.1660                        | 700        | 0.2325                        | 860        | 0.2929                        | 1400       | 0.3203                        | 1720       | 0.3483                        | 1865       |
| 70            | 0.1792                        | 840        | 0.2564                        | 1320       | 0.3144                        | 1420       | 0.3437                        | 1710       | 0.3742                        | 1870       |



Constant Volume Diffuser (CVD) Dimensions: Square

| MODEL CVD | D DIAMETER (mm) | GRID SIZE | A X B (mm) | C DIAMETER (mm) | E DIAMETER (mm) | FLEXIBLE DUCT (mm) |
|-----------|-----------------|-----------|------------|-----------------|-----------------|--------------------|
| 150       | 150             | 600 x 600 | 595 x 595  | 460             | 345             | 150                |
| 200       | 200             | 600 x 600 | 595 x 595  | 460             | 345             | 200                |
| 250       | 250             | 600 x 600 | 595 x 595  | 460             | 345             | 250                |
| 300       | 300             | 600 x 600 | 595 x 595  | 460             | 345             | 300                |
| 350       | 350             | 600 x 600 | 595 x 595  | 460             | 345             | 350                |



Circular Constant Volume Diffuser (CCVD) Dimensions: Round

| MODEL CCVD | D DIAMETER (mm) | A DIAMETER (mm) | B DIAMETER (mm) | C DIAMETER (mm) | HOLE DIAMETER (mm) | FLEXIBLE DUCT (mm) |
|------------|-----------------|-----------------|-----------------|-----------------|--------------------|--------------------|
| 150        | 150             | 530             | 460             | 345             | 510                | 150                |
| 200        | 200             | 530             | 460             | 345             | 510                | 200                |
| 250        | 250             | 530             | 460             | 345             | 510                | 250                |
| 300        | 300             | 530             | 460             | 345             | 510                | 300                |
| 350        | 350             | 530             | 460             | 345             | 510                | 350                |



## SOUTH AFRICA

### **Johannesburg**

Advantage Air Africa Pty Ltd

T: +27 11 201 0600

F: +27 11 450 4317

E: [sales@advantageair.co.za](mailto:sales@advantageair.co.za)

### **Cape Town**

Advantage Air

T: +27 21 551 8411 / 551 8312

F: +27 21 551 8402

E: [sales@advantageair.co.za](mailto:sales@advantageair.co.za)

### **Durban**

Advantage Air

T: +27 31 579 4615

F: +27 31 579 3903

E: [sales@advantageair.co.za](mailto:sales@advantageair.co.za)