

ADVANTAGE AIR®

TECHNICAL CATALOGUE



Volume Control Damper -Round
(VCD-R)

VOLUME CONTROL DAMPER-ROUND (VCD-R)

APPLICATION

Advantage Air's VCD-R is used to control airflow in a HVAC system. Generally used to control intake and exhaust air flows, as well as balancing air in a spiral ductwork application.

STRUCTURE

Our VCD-R is manufactured from 1mm galvanised steel. Single pivot blade installed in the casing with low friction nylon Bushes.



Manual Damper quadrant fitted to outside for blade adjustment. Blade position indicator on outside of casing.

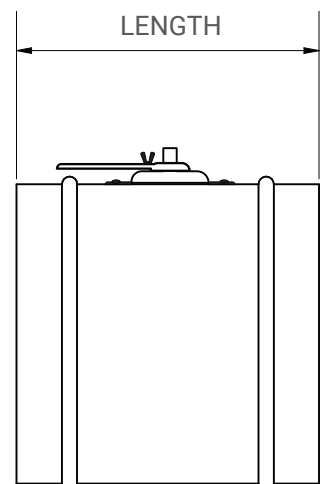


STANDARD SIZES

- Ø100MM
- Ø150MM
- Ø200MM
- Ø250MM
- Ø300MM

DIMENSIONS

Standard casing length is 200mm or can be made to client specification.





SOUTH AFRICA

Johannesburg

Advantage Air Africa Pty Ltd

t: +27 11 201 0600

e: sales@advantageair.co.za

w: www.myplaceafrica.co.za

Cape Town

Advantage Air

t: +27 (21) 5518 411

e: sales@advantageair.co.za

w: www.myplaceafrica.co.za