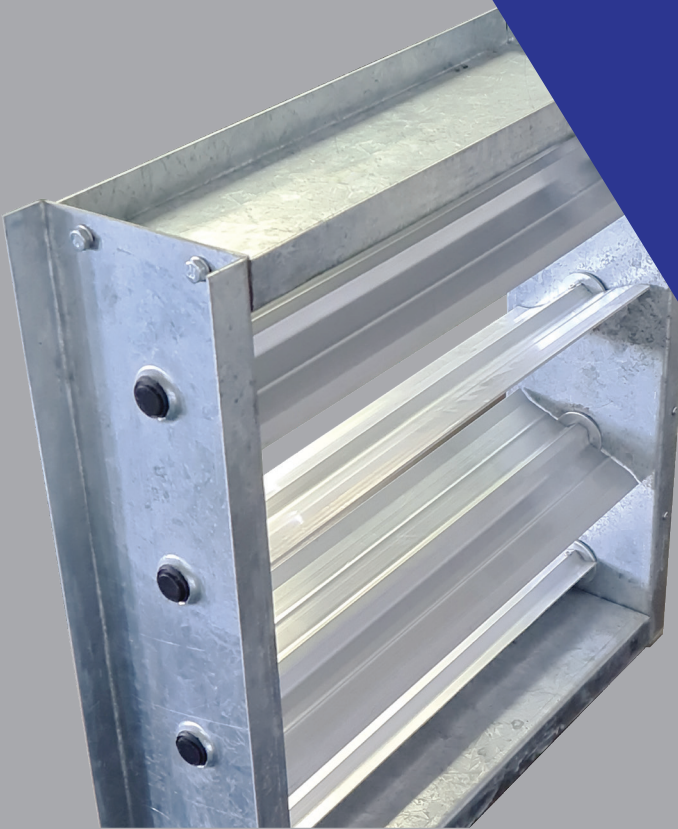


**ADVANTAGE AIR®**

TECHNICAL CATALOGUE



Volume Control Damper  
(VCD)

# VOLUME CONTROL DAMPER (VCD)

## CONSTRUCTION

Manufactured from 1,6mm galvanised mild steel assembled with galvanised bolts, nuts and washers.

## BLADES

Profiled extruded aluminium.

## GEARS

Tough, abrasion resistant polyamide.

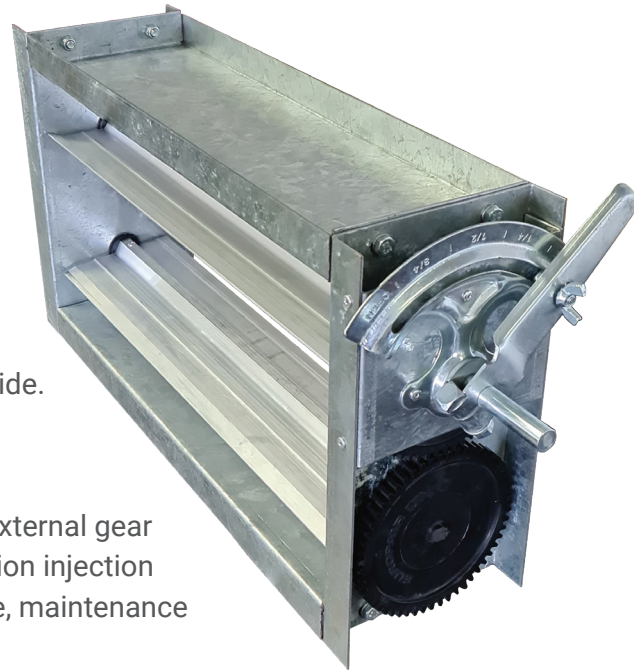
## SHAFTS

Drive shaft 12.7mm dia.

## ADVANTAGES

Low resistance profiled blades, external gear drive, robust construction, precision injection moulded UV protected polyamide, maintenance free gears and shafts.

**\* DAMPERS ARE MADE TO ORDER**

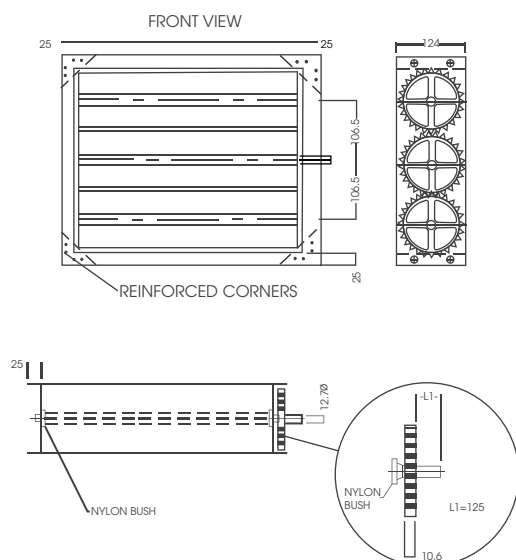


## FINISH

Blades are supplied in mill finish as standard. Anodised blades can be supplied on request. Dampers can also be finished in electrostatically applied epoxy power on request.

## SPECIAL FEATURES

1. For applications requiring improved close-off, side seals can be fitted to minimise leakage.
2. Each damper is supplied with a drive shaft suitable for motor drive or manual quadrant operation.



## DAMPER QUADRANT





## SOUTH AFRICA

### **Johannesburg**

Advantage Air Africa Pty Ltd

t: +27 11 201 0600

e: [sales@advantageair.co.za](mailto:sales@advantageair.co.za)

w: [www.myplaceafrica.co.za](http://www.myplaceafrica.co.za)

### **Cape Town**

Advantage Air

t: +27 (21) 5518 411

e: [sales@advantageair.co.za](mailto:sales@advantageair.co.za)

w: [www.myplaceafrica.co.za](http://www.myplaceafrica.co.za)