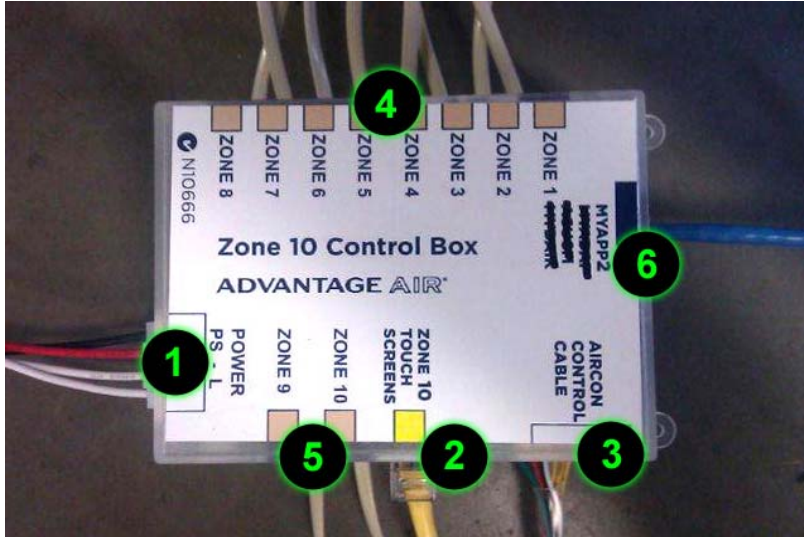


## ZONE 10.4 INSTALLATION INSTRUCTIONS

Ensure the A/C system is operating correctly

Connect the system as shown:



- 1 Power supply connector (PS-L)
- 2 Touch Screen (yellow CAT5 cable)
- 3 Optional Unit control cable
- 4 Zone Motors 1 to 8 (beige cables)
- 5 Zone 9 and Zone 10
- 6 MyAPP interface (blue CAT5 cable)

Power up the system. This may take up to 5 minutes to complete initialisation.

Note: For systems with 2 touch panels, each panel must be assigned a panel ID. Gently press the screen before powering up, and plug the yellow cable in. This will toggle the panel ID and display to you on the screen. If you want to change the ID, repeat this step to toggle the ID.

### Set up Zone Names

Go to Tools, Change Zone Name

Press the Name button next to each zone you wish to change.

Press the DEL button to remove unwanted characters, and use the on-screen keyboard to enter up to 8 characters for each zone.

When finished, press DONE

### Set the Time

The Zone 10 comes with the ability to schedule zones, so it is important the system time is correct, and this should be set on commissioning.

## System Setup

Press Tools

Press Advanced Tools 4 times

Press the lower right corner of the screen (hidden button)

The following screen should display:



Set number of zones and number of constant zones

Use the scroll down button in the lower right corner of the screen so that Ctrl Zone 1 shows at the top of the screen, as shown below:



For Zone 1, set the minimum and maximum damper positions required. Percent "YES" allows the user to adjust their airflow %.

If the zone is to be a constant, use the arrows next to Const Ord to select the zone as a constant. X means this zone will not be a constant, 1 is the first, 2 is the second, 3 is the third.

On the Ctrl Zone line, use the right arrow to move to Ctrl Zone 2 and repeat the above steps

Repeat for all zones in the system

When finished press DONE

## 21 Day Trial

To activate the 21 Day Trial, Press EDIT on the LOCK CODE line in the ADVANCED TOOLS page

NO. ZONES	◀	8	▶
NO. CONSTN	◀	2	▶
LOCK CODE	◀	EDIT	▶
CTRL ZONE	◀	1	▶

**CANCEL** **DONE**

---

ADVANCED TOOLS (1)

You will be asked to enter a 4-digit code. This code will later be required to activate the system at the conclusion of the 21 Day Trial.

\*\*\*\*

**ENTER 4-DIGIT  
ACTIVATION CODE**

7	8	9
4	5	6
1	2	3
0	DEL	

**CANCEL** **DONE**

---

ACTIVATION CODE

Once you have entered the code, you will need to re-enter it to activate the 21 Day Trial

\*\*\*\*

**ENTER CODE AGAIN  
TO CONFIRM**

7	8	9
4	5	6
1	2	3
0	DEL	

**CANCEL** **DONE**

---

ACTIVATION CODE

After confirming the code, press DONE to save the changes and activate the 21 Day Trial