

ADVANTAGE AIR®

TECHNICAL CATALOGUE



EVAP PLENUM

Fibre Glass/Metal

EVAP PLENUM



FEATURES

- High airflow and low cost alternative to a ducted system.
- Blades are adjustable.
- Does not crack.

CONSTRUCTION

- White fibreglass body with natural anodised aluminium blades.

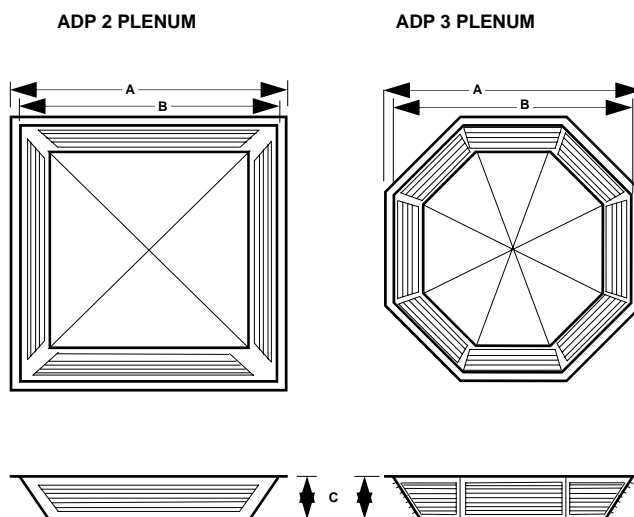
APPLICATIONS

- Ideal for commercial and industrial applications where large areas are required to be air conditioned.

OPTIONAL EXTRAS

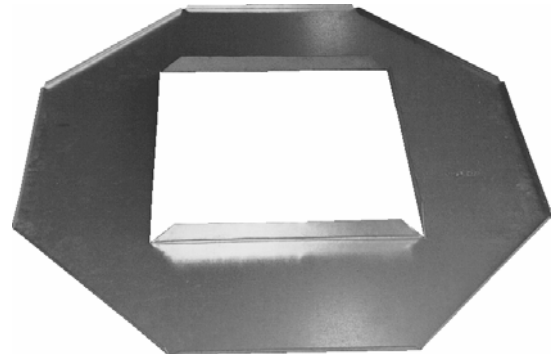
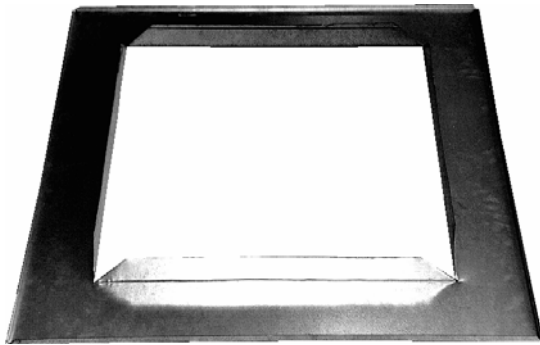
- Plenum plates are supplied as an optional extra and must be specified at the time of ordering, if required.
- Other colours can be provided, however this requires 3 working weeks notice.

DIMENSIONS



MODEL NO.	A mm	B mm	C mm	AIR QTY M ³ /hr
ADP2	890	890	290	14000
ADP3	1100	960	310	18000

EVAP PLENUM PLATES



FEATURES

- Plenum plates are used to connect droppers to plenums.

CONSTRUCTION

- Plenum plates are manufactured from galvanised steel.

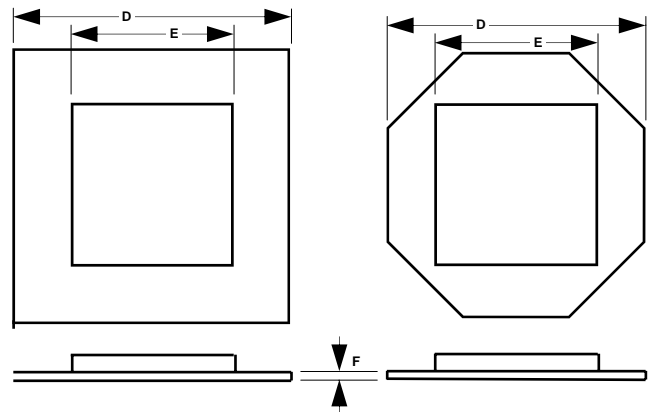
OPTIONAL EXTRAS

- Plenum plates are supplied as an optional extra and must be specified at the time of ordering plenums, if required.

DIMENSIONS

ADP 2 PLENUM PLATE

ADP 3 PLENUM PLATE



MODEL NO.	D mm	E mm	F mm
PP1	770	550	10
PP2	870	660	10
PP3	1083	670	10



SOUTH AFRICA

Johannesburg

Advantage Air Africa Pty Ltd

T: +27 11 201 0600

F: +27 11 450 4317

E: sales@advantageair.co.za

Cape Town

Advantage Air

T: +27 21 551 8411 / 551 8312

F: +27 21 551 8402

E: sales@advantageair.co.za